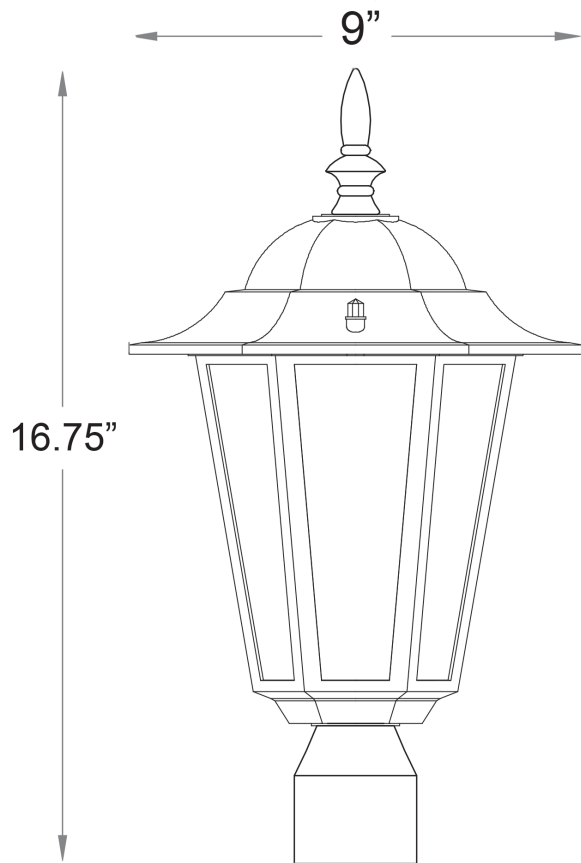


6117TW

CAMELOT 1-LIGHT POST MOUNT



Description:	Camelot 1-light post mount
Finish:	Textured white
Dimensions:	9" W x 16-3/4" H
Bulbs:	1-100w Med.
Installed Weight:	2 lbs
Certification:	Wet location

Material:	Cast aluminum
Shade:	Glass
Glass:	Clear beveled
Post Dimensions:	3" dia. post fitter
Chain/Wire:	NA
Additional Finishes:	Matte black and architectural bronze