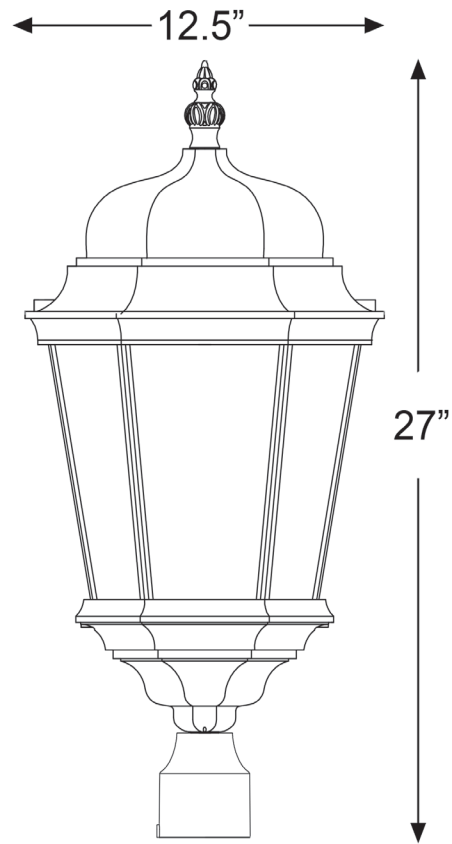


# 5527BK

## TELFAIR 3-LIGHT POST LANTERN



<b>Description:</b>	Telfair 3-light post lantern
<b>Finish:</b>	Matte black
<b>Dimensions:</b>	12-1/2" W x 27" H
<b>Bulbs:</b>	3-60w cand.
<b>Installed Weight:</b>	5.7 lbs.
<b>Certification:</b>	Wet location

<b>Material:</b>	Cast aluminum
<b>Shade:</b>	Glass
<b>Glass:</b>	Hammered water
<b>Post Dimensions:</b>	3" dia. post fitter
<b>Chain/Wire:</b>	NA
<b>Additional Finishes:</b>	Black coral and marbled mahogany