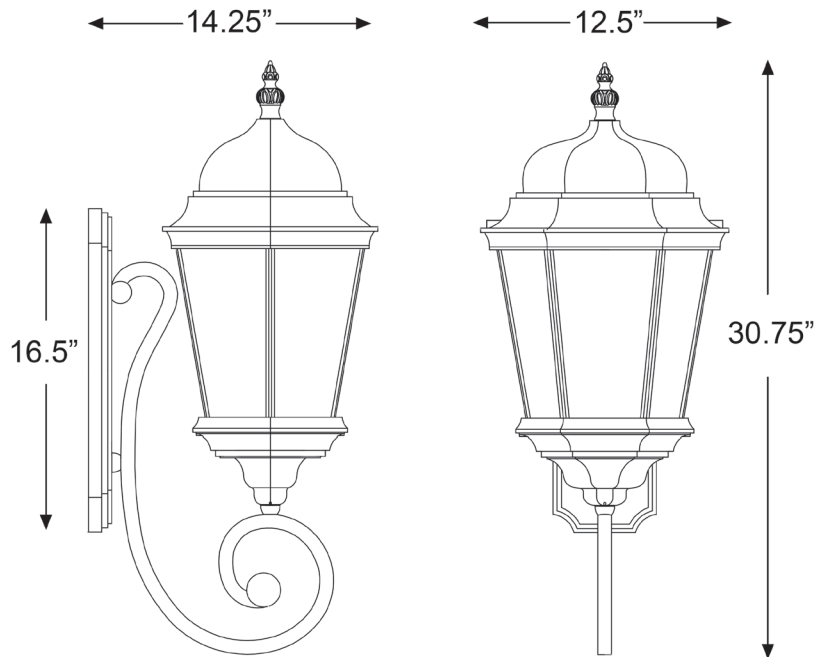


# 5521BK

## TELFAIR 3-LIGHT WALL LANTERN



|                          |   |
|--------------------------|---|
| <b>Description:</b>      | Telfair 3-light wall lantern                                  |
| <b>Finish:</b>           | Matte black   |
| <b>Dimensions:</b>       | 12-1/2" W x 30-3/4" H x 14-1/4" ext.<br>Height on center: 11" |
| <b>Bulbs:</b>            | 3-60w cand.   |
| <b>Installed Weight:</b> | 8.8 lbs.  |
| <b>Certification:</b>    | Wet location / c UL   |

|                               |                                    |
|-------------------------------|------------------------------------|
| <b>Material:</b>              | Cast aluminum                      |
| <b>Shade:</b>                 | Glass                              |
| <b>Glass:</b>                 | Hammered water                     |
| <b>Back Plate Dimensions:</b> | 5-1/2" x 16-1/2"                   |
| <b>Chain/Wire:</b>            | NA                                 |
| <b>Additional Finishes:</b>   | Black coral and marblized mahogany |