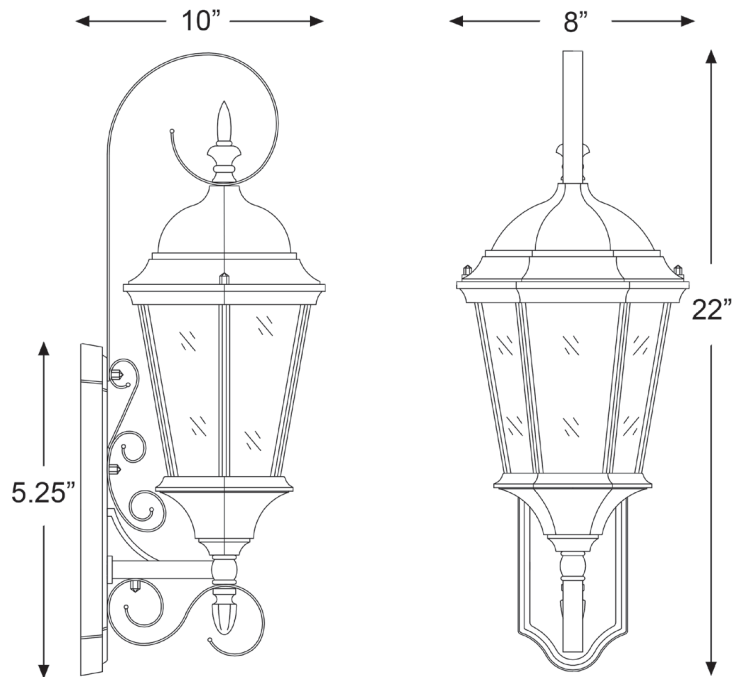


5421BK

NEW ORLEANS 1-LIGHT WALL LANTERN



Description:	New Orleans 1-light wall lantern
Finish:	Matte black
Dimensions:	8" W x 22" H x 10" ext. Height on center: 12-1/2"
Bulbs:	1-100w medium
Installed Weight:	3.25 lbs.
Certification:	Wet location

Material:	Cast aluminum
Shade:	Glass
Glass:	Clear beveled
Back Plate Dimensions:	3" x 5-1/4"
Chain/Wire:	NA
Additional Finishes:	Burled walnut