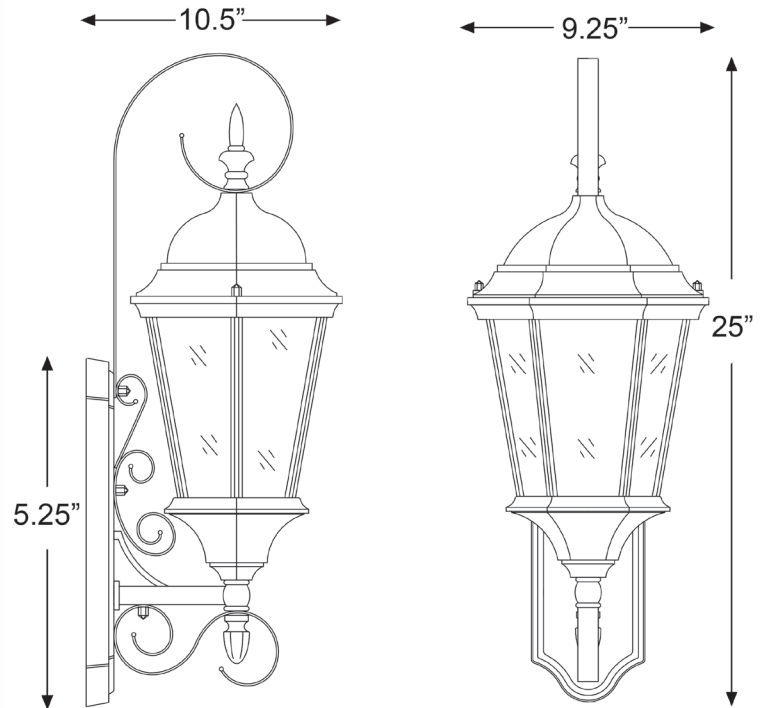


5413BW

NEW ORLEANS 3-LIGHT WALL LANTERN



Description:	New Orleans 3-light wall lantern
Finish:	Burl walnut
Dimensions:	9-1/4" W x 25" H x 10-1/2" ext. Height on center: 15-1/4"
Bulbs:	3-60w cand.
Installed Weight:	4.75 lbs.
Certification:	Wet location

Material:	Cast aluminum
Shade:	Glass
Glass:	Clear beveled
Back Plate Dimensions:	3" x 5-1/4"
Chain/Wire:	NA
Additional Finishes:	Matte black