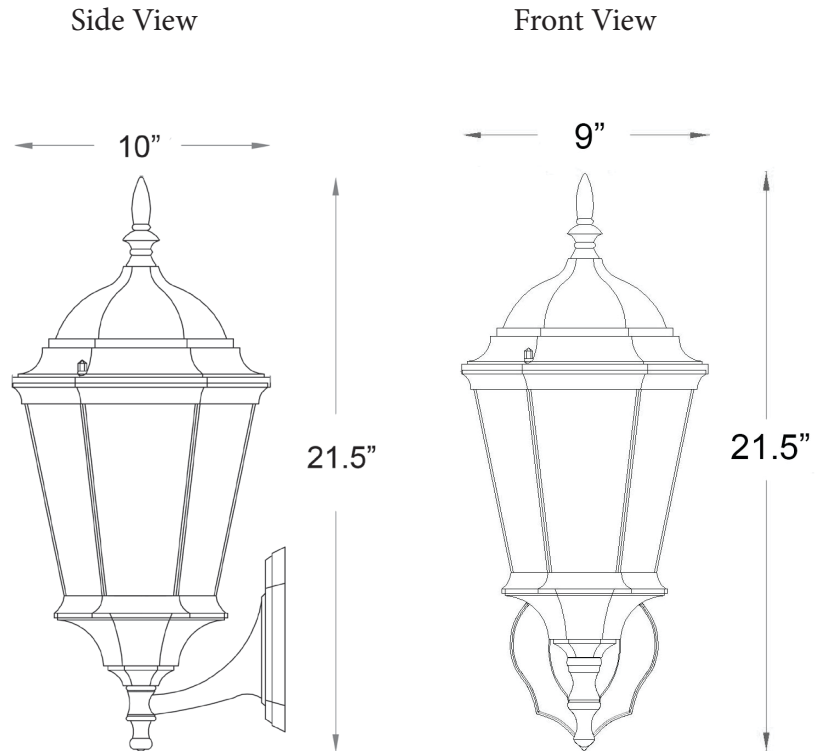


5250BK/SD

RICHMOND 1-LIGHT WALL LANTERN



Description: Richmond 1-light wall lantern

Finish: Matte black

Dimensions: 9" W x 21-1/2" H x 10" ext.
Height on center: 16-1/2"

Bulbs: 1-100w medium

Installed Weight: 3.5 lbs.

Certification: Wet location / ETL

Material: Cast aluminum and glass

Shade: Glass

Glass: Clear seeded

Back Plate Dimensions: 4-1/4" x 7-1/4"

Chain/Wire: NA

Additional Finishes: Burlled walnut