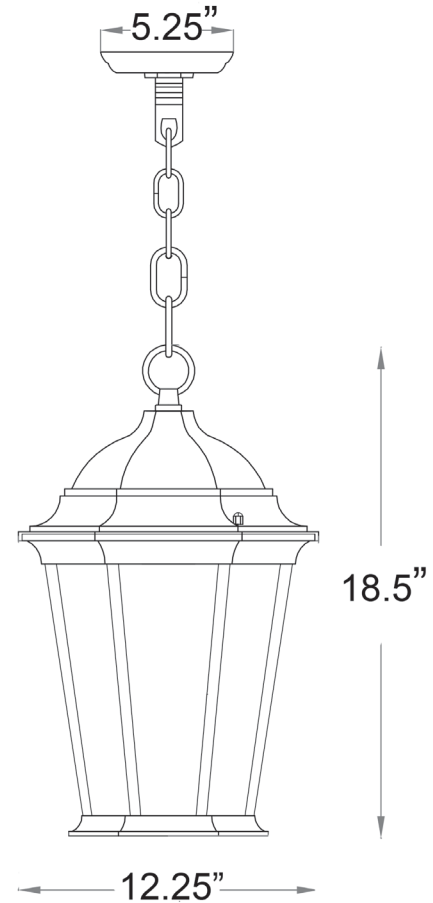


5226BK/SD

RICHMOND 3-LIGHT HANGING LANTERN



Description:	Richmond 3-light hanging lantern
Finish:	Matte black
Dimensions:	12-1/4" W x 18-1/2" H
Bulbs:	3-60w cand.
Installed Weight:	6 lbs.
Certification:	Damp location

Material:	Cast aluminum
Shade:	Glass
Glass:	Clear seeded
Canopy Dimensions:	5-1/4" dia.
Chain/Wire:	5' chain, 10' wire
Additional Finishes:	Burled walnut