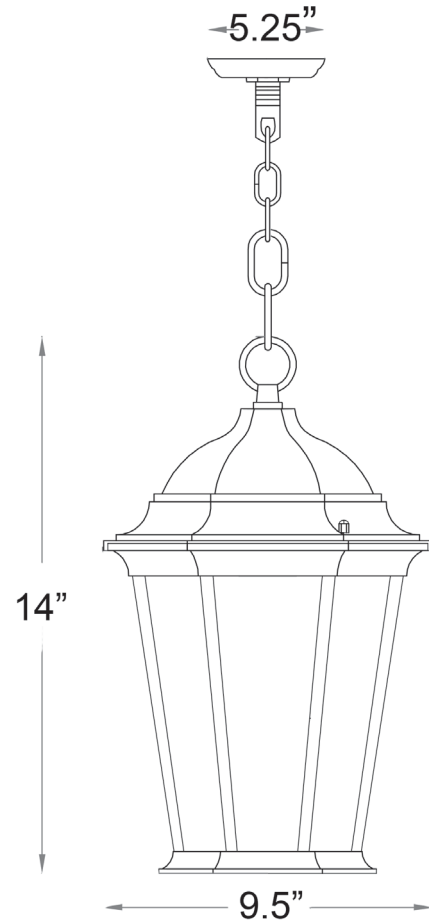


5206BK

RICHMOND 1-LIGHT HANGING LANTERN



Description:	Richmond 1-light hanging lantern
Finish:	Matte black
Dimensions:	9-1/2" W x 14" H
Bulbs:	1-100w medium
Installed Weight:	4 lbs.
Certification:	Damp location

Material:	Cast aluminum
Shade:	Glass
Glass:	Clear beveled
Canopy Dimensions:	5-1/4" dia.
Chain/Wire:	5' chain, 10' wire
Additional Finishes:	Burled walnut