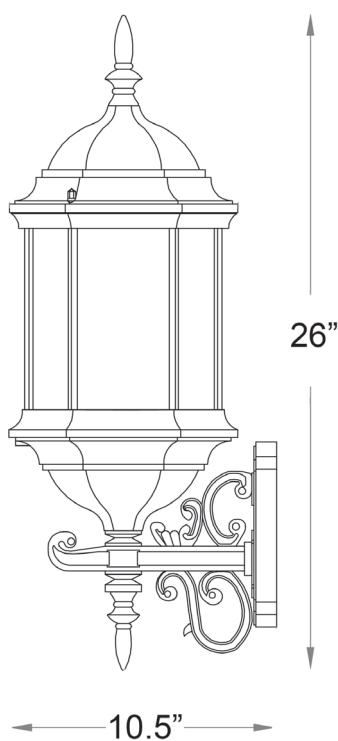


5180BW

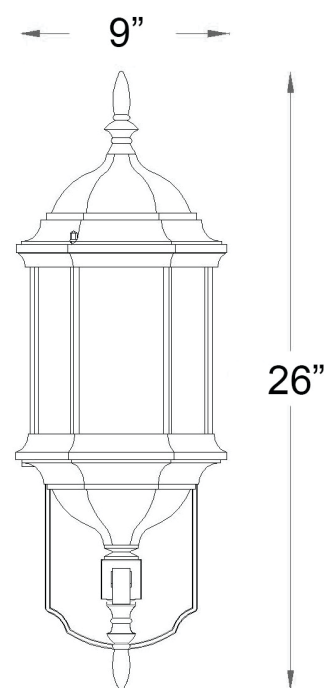
MADISON 3-LIGHT WALL LANTERN



Side View



Front View



Description:	Madison 3-light wall lantern
Finish:	Burl walnut
Dimensions:	9" W x 26" H x 10-1/2" ext. Height on center: 19-3/4"
Bulbs:	3-60w cand.
Installed Weight:	5 lbs.
Certification:	Wet location / c UL

Material:	Cast aluminum
Shade:	Glass
Glass:	Clear beveled
Back Plate Dimensions:	4-1/4" x 7"
Chain/Wire:	NA
Additional Finishes:	Matte black