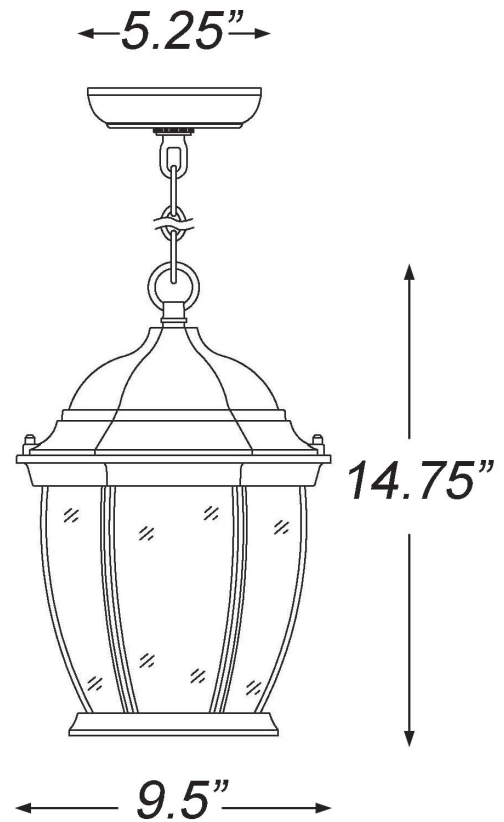


5036BK

WEXFORD 3-LIGHT HANGING LANTERN



Description:	Wexford 3-light hanging lantern
Finish:	Matte black
Dimensions:	9-1/2" W x 14-3/4" H
Bulbs:	3-60w candelabra
Certification:	Damp location / cUL

Material:	Cast aluminum
Shade:	Glass
Glass:	Clear beveled
Canopy Dimensions:	5-1/4" dia. canopy
Chain/Wire:	5' chain, 10' wire
Additional Finishes:	Burlwood