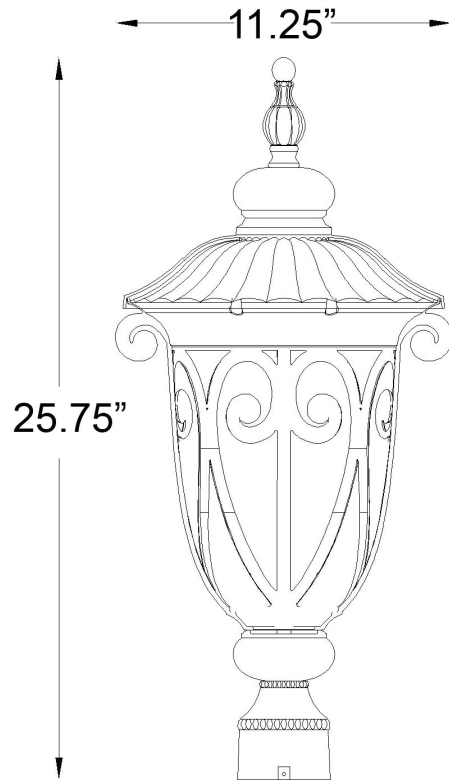


2127BK

NAPLES 3-LIGHT POST LANTERN



Description:	Naples 3-light post lantern
Finish:	Matte black
Dimensions:	11-1/4" W x 25-3/4" H
Bulbs:	3-60w cand.
Installed Weight:	7 lbs.
Certification:	Wet location

Material:	Cast aluminum
Shade:	Glass
Glass:	Clear seeded
Post Dimensions:	3" dia. post fitter
Chain/Wire:	NA
Additional Finishes:	Marbleized mahogany