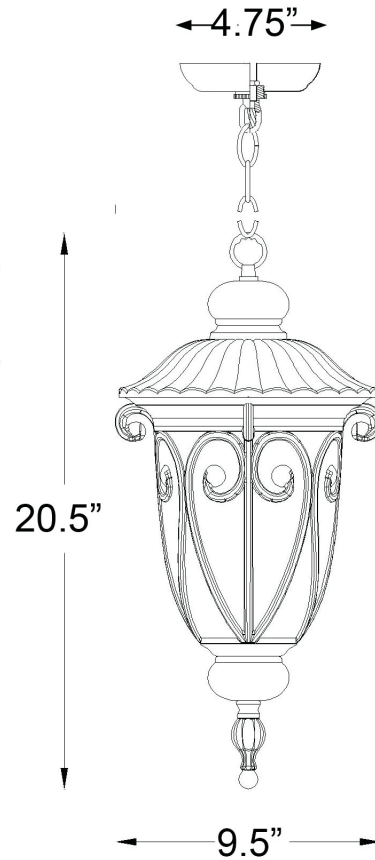


2116MM

NAPLES 1-LIGHT HANGING LANTERN



Description:	Naples 1-light hanging lantern
Finish:	Marbleized mahogany
Dimensions:	9-1/2" W x 20-1/2" H
Bulbs:	1-100w med.
Installed Weight:	6 lbs.
Certification:	Damp location

Material:	Cast aluminum
Shade:	Glass
Glass:	Clear seeded
Canopy Dimensions:	4-3/4" dia.
Chain/Wire:	5' chain, 10' wire
Additional Finishes:	Matte black