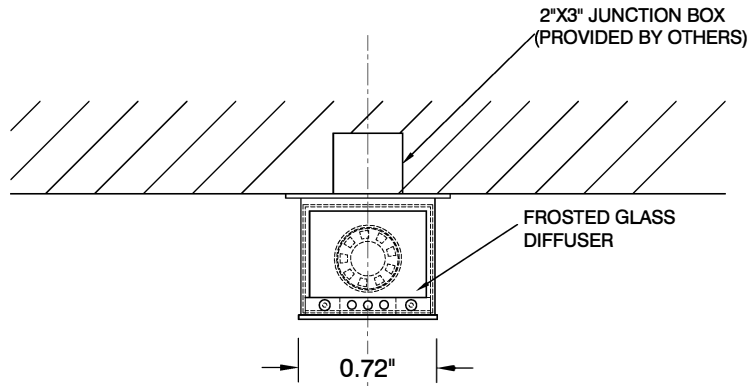
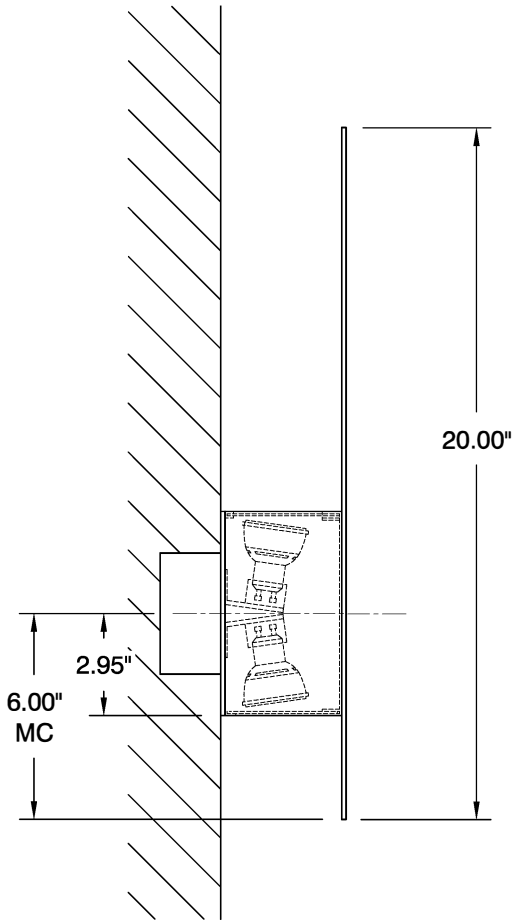


**NOTES**

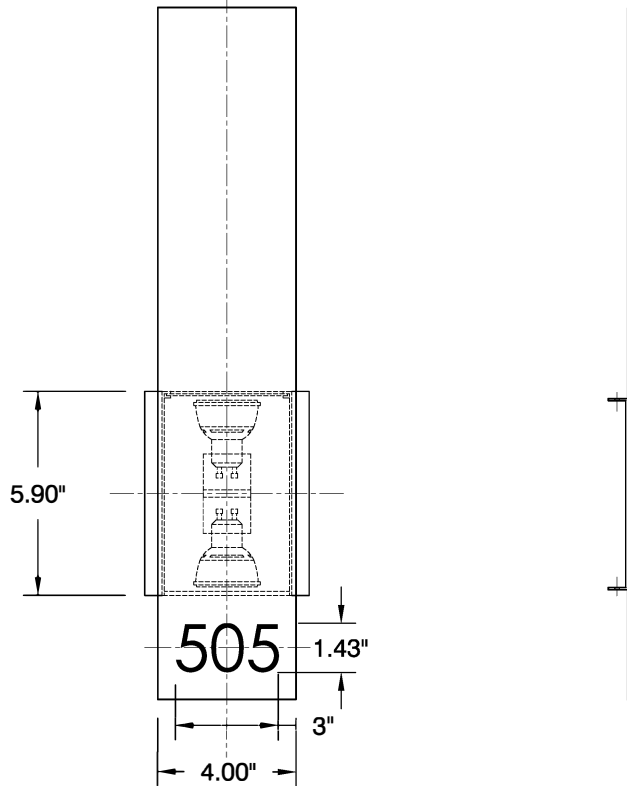
- o lettering in century gothic font, 1.39" high
- o list of room number text supplied by specifier



**TOP VIEW**



**SIDE VIEW**



**FRONT VIEW**

**REFLEX** sconce (modified)  
oxygen **CDX-REFLEX**

OXYGEN LIGHTING ©

**LAMPING**

- o 2x7w GU10 (not included)
- o 7w MAX
- o GU10 base

**Input Voltage**

- o 120v

**METAL FINISH**

- o Satin Nickel

**NOTE**

- o Room # engraved at bottom of face plate

**DIMENSIONS**

- o 4.00" (w) x 20" (h) x 4.22" (ext.) with back plate
- o 4.00" (w) x 20" (h) x 4.09" (ext.) without back plate

**INSTALLATION**

- o 2" x 3" "J" - Box
- o 4" octagonal "J" Box with optional backplate
- o ADA
- o Conforms to UL STD 1958
- o Certified CAN/CSA STD C22.2 No. 250.0

**oxygen**

**OXYGEN LIGHTING**  
201 RAILHEAD RD, FORT WORTH, TX 76106  
TEL. (877) 607-0202 FAX (877) 607-0203  
WWW.OXYGENLIGHTING.COM

PROJECT: \_\_\_\_\_

DATE: \_\_\_\_\_